

General Specifications

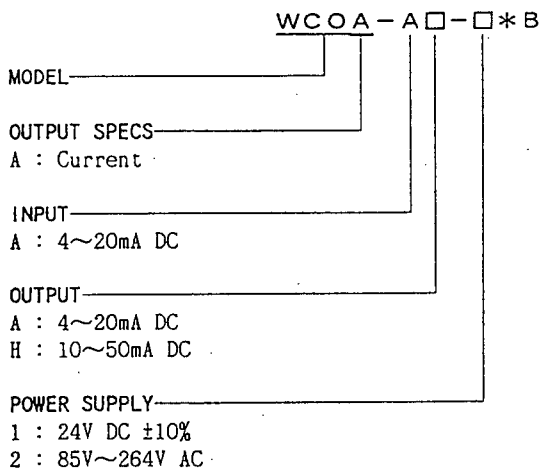
Model WCOA
Output Isolator

JUXTA

Model WCOA Output Isolator inputs 4~20mA signal and converts it into 4~20mA DC or 10~50mA DC current signal.

Input resistance is augmented at time of open so as to detect load open through input device. (Available 2000V AC high voltage proof specifications upon request)

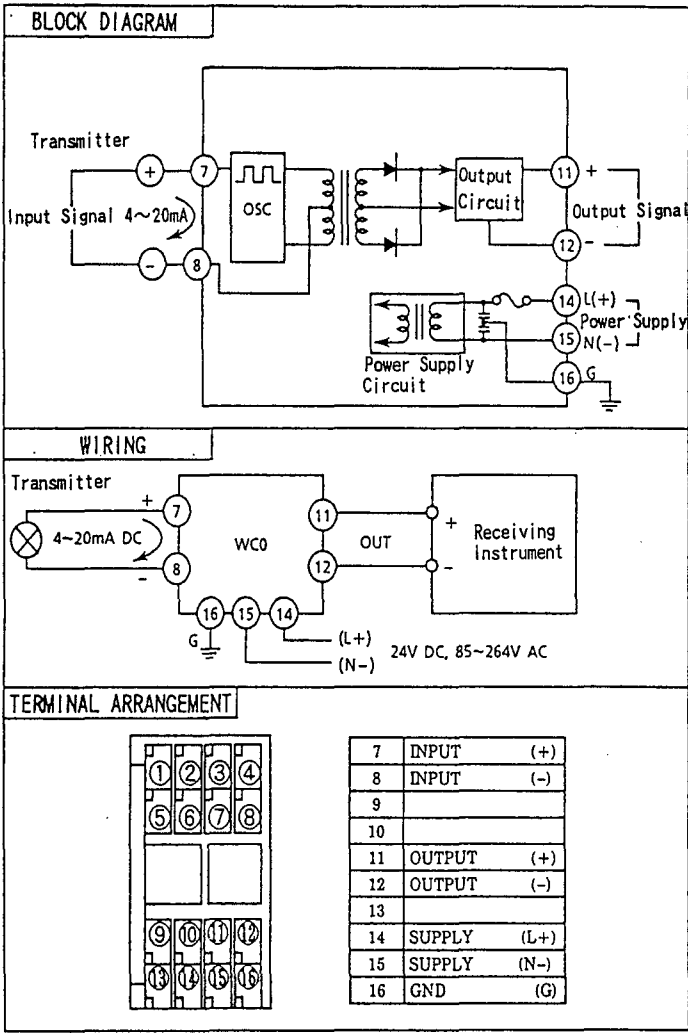
| Input & Output | |
|--|--|
| Input signal | 4~20mA DC |
| Input resistance | Normal operation : Less than 250Ω (when 4~20mA DC output) Less than 750Ω (when 10~50mA DC output) Load open : More than 32kΩ |
| Internal voltage drop | Less than 5V DC (4~20mA DC output) Less than 14V DC (10~50mA DC output) |
| Allowable input voltage | Less than 40mA DC |
| Output signal | DC current signal |
| Standard Performance | |
| Accuracy rating | ±0.1% of span (4~20mA DC output) ±0.3% of span (10~50mA DC output) |
| Response speed | 10ms 63% response (10~90%) |
| Insulation resistance | More than 100MΩ (at 500V DC) between input~output~power supply (DC Drive) between input~output~power supply~ground (AC Drive) |
| Withstand Voltage | 1500V AC/minute between output~input~power supply 500V AC/minute between input~power supply (DC Drive) 1500V AC/minute between input~output~power supply~ground (AC Drive) |
| Ambient temperature & humidity | Normal operating condition : 0~50°C, 5~90%RH Operating limit : -10~60°C, 5~95%RH (no condensation) Transit & storing condition : -40~70°C, 5~95%RH |
| Power supply voltage | 85~264V AC 47~63Hz or 24V DC±10% |
| Effect of power supply voltage fluctuation | Less than ±0.1% of span for fluctuation of 85~264V AC or 24V DC±10% |
| Effect of ambient temperature change | Less than ±0.2% of span for change of 10°C |
| Current dissipation | 24V DC 60mA (WCOA-1) |
| Power dissipation | 100V AC 6VA (WCOA-2) |
| Mounting, Shape & Accessories | |
| Materials | ABS plastic case |
| Boards | Both sides glass-epoxy |
| Mounting method | Rack, wall, DIN rail mounting |
| Connecting method | M4 screws terminal |
| External dimension | 72x48x127mm (HxWxD) |
| Weight | DC Drive abt. 150g, AC Drive abt. 300g |
| Accessories | Tag number label ... 1 Mounting block2 Mounting screw M4 ...2 |



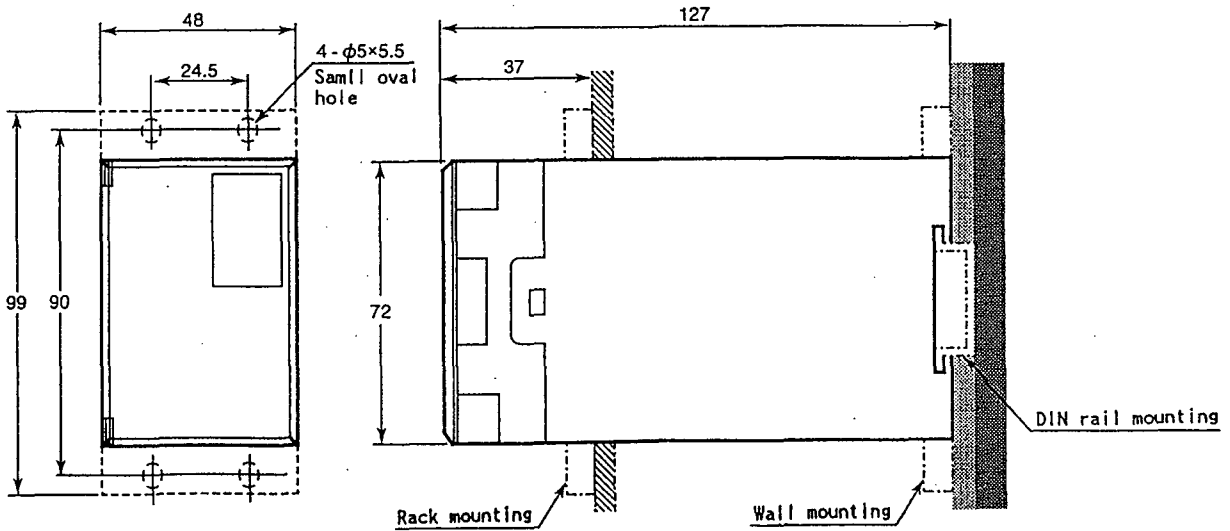
OUTPUT RESISTANCE & PERMISSIBLE LOAD RESISTANCE

| WCOA (DC Current Output Type) | | |
|-------------------------------|-------------------|-----------------------------|
| Output Signal | Output Resistance | Permissible Load Resistance |
| 4~20mA DC | More than 50Ω | 0~750Ω |
| 10~50mA DC | | 0~220Ω |

ORDERING INFORMATION
(Example) Model Code : WCOA-AA-2*B



EXTERNAL DIMENSIONS



Subject to change without notice for grade up quality and performance